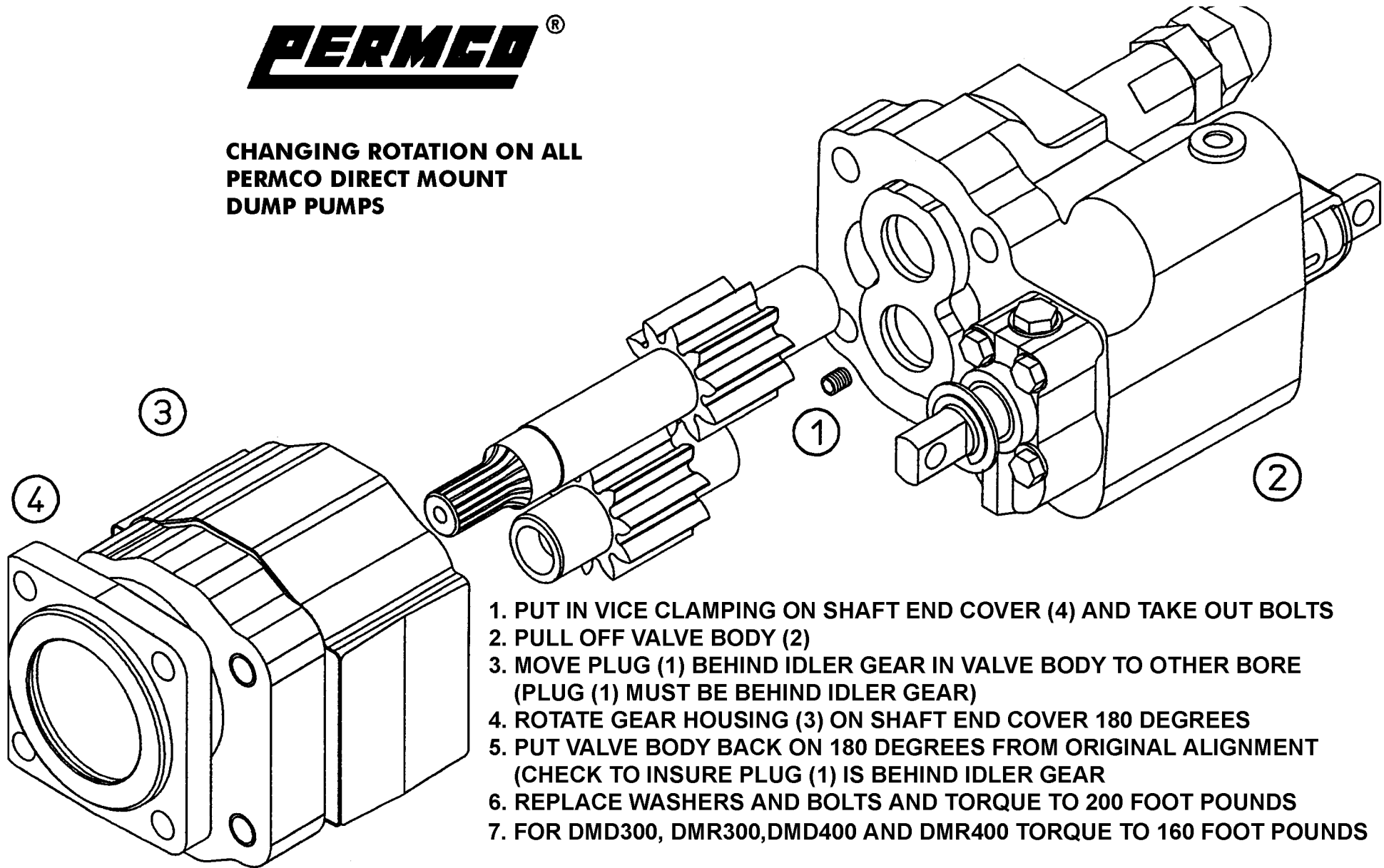




**CHANGING ROTATION ON ALL
PERMCO DIRECT MOUNT
DUMP PUMPS**



1. PUT IN VICE CLAMPING ON SHAFT END COVER (4) AND TAKE OUT BOLTS
2. PULL OFF VALVE BODY (2)
3. MOVE PLUG (1) BEHIND IDLER GEAR IN VALVE BODY TO OTHER BORE
(PLUG (1) MUST BE BEHIND IDLER GEAR)
4. ROTATE GEAR HOUSING (3) ON SHAFT END COVER 180 DEGREES
5. PUT VALVE BODY BACK ON 180 DEGREES FROM ORIGINAL ALIGNMENT
(CHECK TO INSURE PLUG (1) IS BEHIND IDLER GEAR)
6. REPLACE WASHERS AND BOLTS AND TORQUE TO 200 FOOT POUNDS
7. FOR DMD300, DMR300, DMD400 AND DMR400 TORQUE TO 160 FOOT POUNDS

DMD-XX-X-X-XX-XX-XX

GEAR SIZE X-2 LINE
(15, 20, 25) Z-3 LINE W/SLEEVE

R-RIGHT HAND AS-AIR SHIFT
L-LEFT HAND MS-MANUAL SHIFT

RELIEF VALVE
20-2000 PSI

EXT. STUDS
E4-ALL FOUR
ER-RIGHT SIDE
EL-LEFT SIDE
EB-BOTTOM TWO
ET-TOP TWO